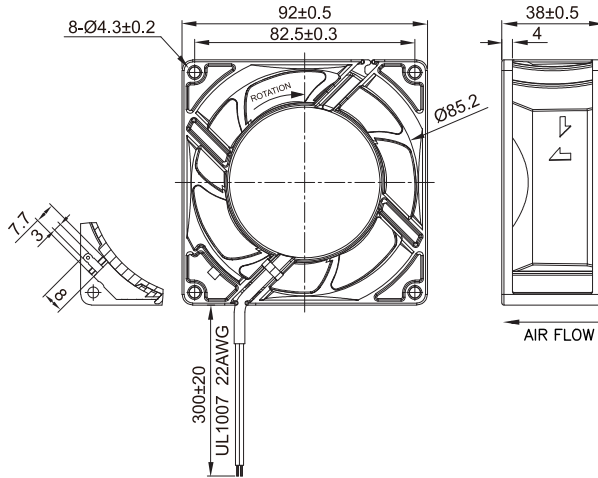


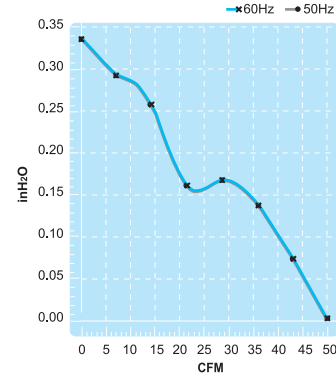
EC9238 Series.

Platic Impeller / Explosion Proof.

Size : 92 x 92 x 38
Unit : mm



(Axial Fan)



Electronically-Protected

Terminal or Lead Wire Type



Spec. Model	Rated Voltage V	Frequency Hz	Input Power W	Rated Current A	Locked Current A	Speed RPM	Maximum Air Flow m ³ /min.	Maximum Air Flow CFM	Maximum Pressure mmH ₂ O	Maximum Pressure InchH ₂ O	Noise dB	Weight kg
EC9238 -URH1D4Aex	115~230	50/60	4.8 (115V) 5.2 (230V)	0.08 (115V) 0.05 (230V)	0.07 (115V) 0.05 (230V)	3850	1.4	50	8.4	0.33	43	0.225